

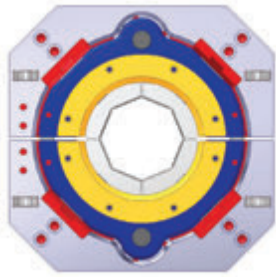


VERTECO
Vermilion River Tool
& EQUIPMENT COMPANY

S-510 500 Ton FMS

DESIGN STANDARD	API 7K (and 8C)
RATING	500 Tons
SAFETY FACTOR	2.25 X
ROTARY	27 1/2"
RANGE	2 3/8" – 10 3/4"

OPERATIONAL FEATURES:



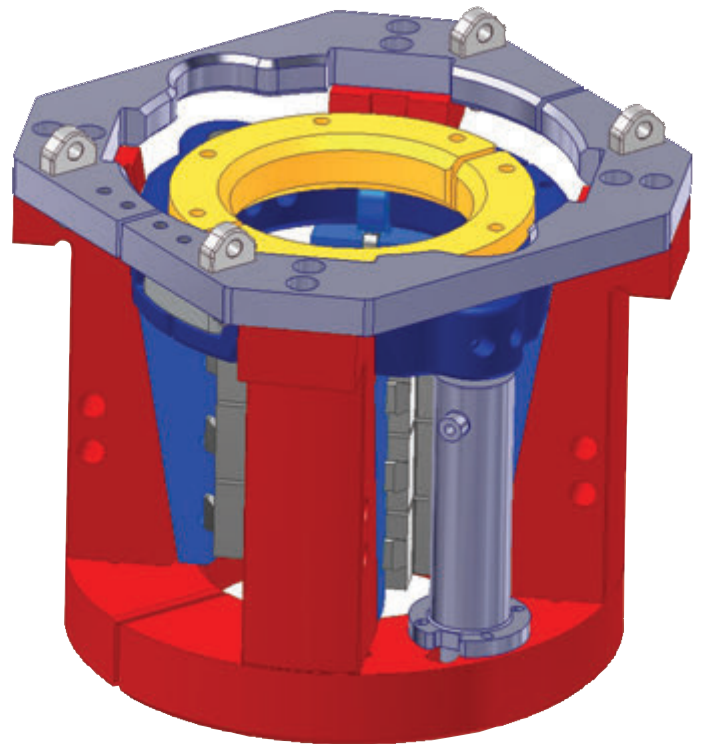
- Self-locking design does not require the use of a tether and holds backup torque eliminating the need for backup tools
- Convenient for running tapered string due to 1" die gripping range

- Split bowl design eliminates the possibility of stuck pipe and makes insertion and retrieval simple
- Teardown, inspection and reassembly takes less than two man-hours

SAFETY FEATURES:



- Industry leading 2.25 X safety factor
- Reduced pinch points
- Reduced pipe stress
- All parts visible in operation
- Flush mount design eliminates need for scaffolding
- Max. projection above rotary 10"
- Tool holds down force. No backup tong or operator is required



DESIGN FEATURES:

- 500 Ton universal tool fits in ALL 27 1/2" rotaries
- Patented die design produces 1/2 the stress in pipes of conventional dies and eliminates the possibility of crushed pipe
- Stress cracking totally eliminated as no welds or castings are used in the tool

